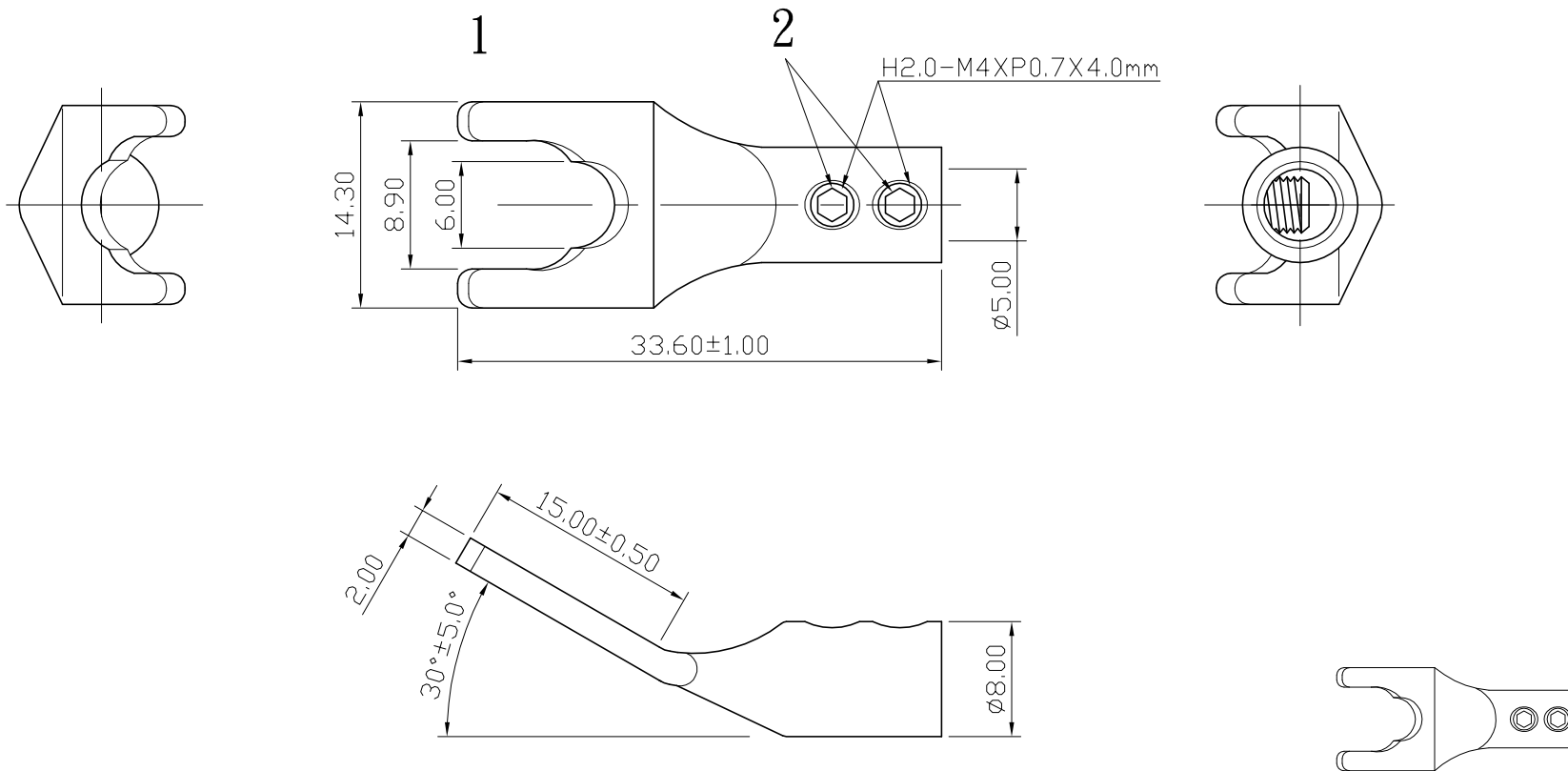



REMARK : RoHS REQUIREMENT APPLIED
(符合RoHS)



NOTE : POLISH TREATMENT

S 1 : 1

7						DIMENSIONS ARE IN MILLIMETERS	CHECKED	 雅鈦企業有限公司 Aec Connectors Co., Ltd.
6								
5						SCALE 2 : 1	DRAWN <i>Jim</i>	DRAWING NO.
4								DATE 2015. 10. 28
3						UNIT MM	FILE NO. DAWINGAUDIO\CT\CT-204G+PT-8.9-30-5.0	
2	screw	2	iron	gold	SCREW-204G-M4XP0.7X4.0mm			
1	body	1	copper	gold				
NO.	Description	Unit	Materials	Finish	Drawing No.			