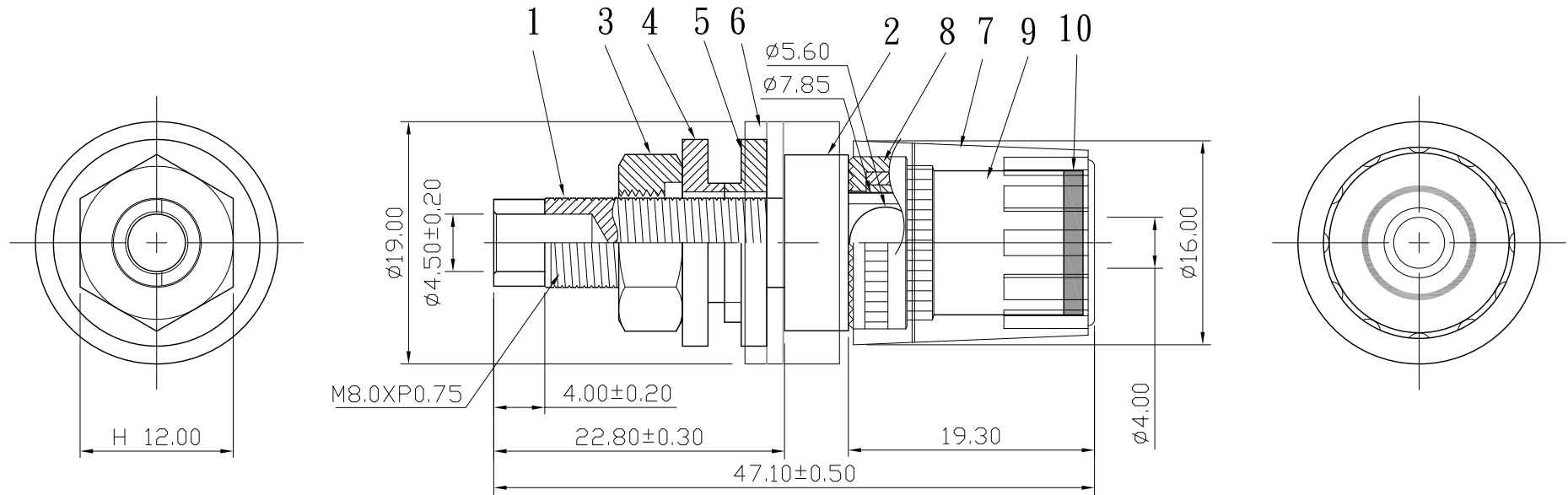


No.	DATE	DESCRIPTION	REV
△1	2010. 12. 14	Drawing Updated (圖面更新)	A
△2	2015. 06. 01	Drawing Updated (圖面更新)	B

REMARK : RoHS REQUIREMENT APPLIED
(符合RoHS)



10	color ring	1	PE 207	red/black/white	
9	shell	1	brass	gold	
8	ring	1	brass	gold	
7	shell	1	PC (polycarbonate)	transparent	
6	shell	1	PC (polycarbonate)	transparent	
5	washer	1	PA 66 nylon	red/black/white	
4	washer	1	PA 66 nylon	red/black/white	
3	hexagon nut	1	brass	gold	
2	ring	1	brass	gold	
1	body	1	tellurium copper	gold	
NO.	Description	Unit	Materials	Finish	Drawing No.

CASE HOLE DIMENSION

S 1 : 1

DIMENSIONS ARE IN
MILLIMETERS

UNLESS OTHERWISE SPECIFIED
TOLERANCES
(一般公差)
0.5~6 = ±0.2
>6~30 = ±0.4
>30~120 = ±0.6
>120~315 = ±1
>315~1000 = ±1.6
ANGLES(角度) = ±5°

CHECKED

DRAWN

Jim

DATE

2010. 12. 14



雅鈦企業有限公司
Aec Connectors Co., Ltd.

TITLE

BINDING POST

DRAWING NO.

BI-110RD/BK/WEPLG(Tc)-RD/BK/WE-SM-20mm

FILE NO. DRAWING\AUDIO\BNBI-110RD/BK/WEPLG(Tc)-RD/BK/WE-SM-20mm

SCALE 2 : 1 UNIT MM