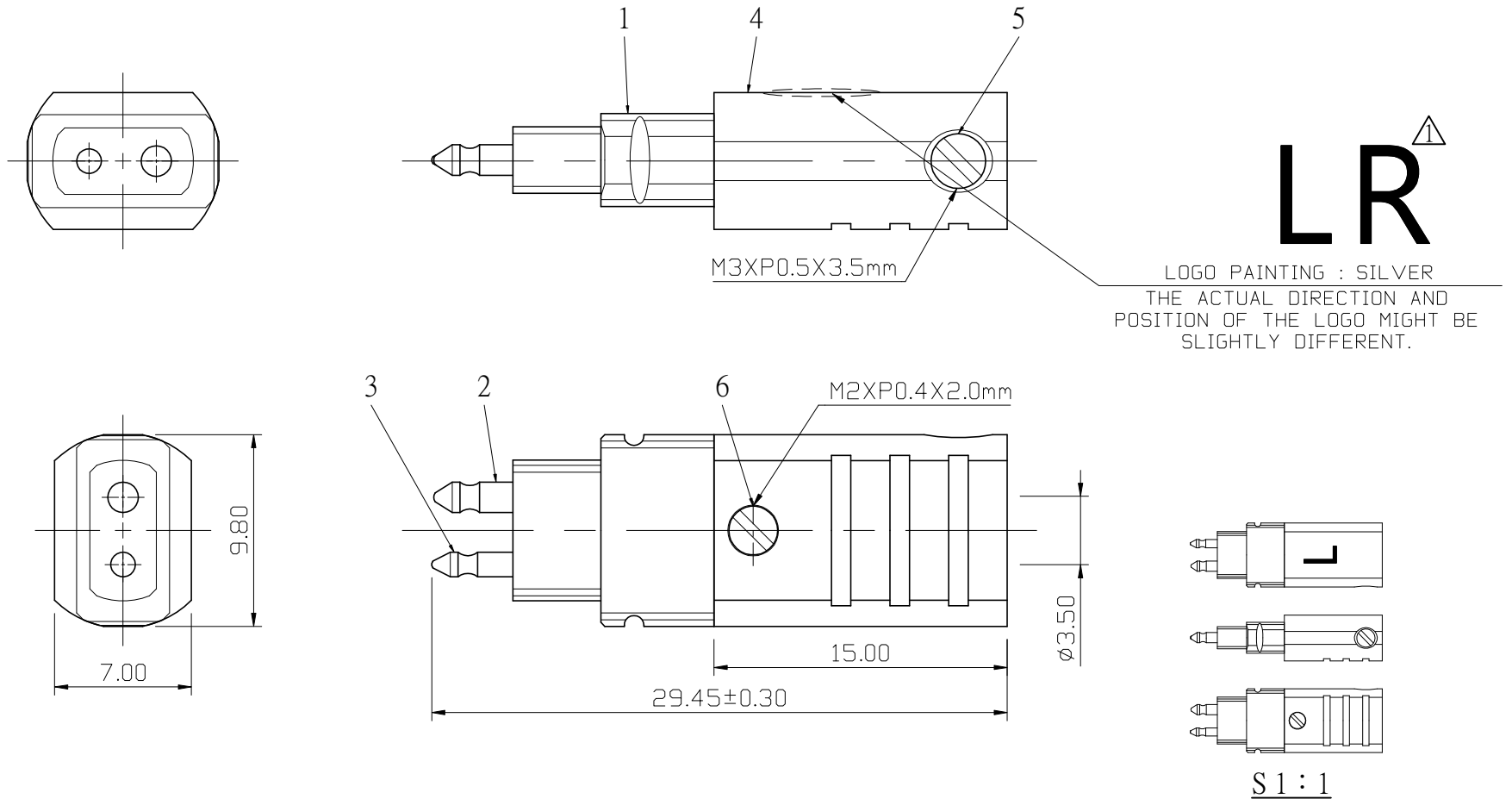



No.	DATE	DESCRIPTION	REV
△	2019. 05. 02	Drawing updated	A

REMARK : RoHS REQUIREMENT APPLIED
(符合RoHS)



7					DIMENSIONS ARE IN MILLIMETERS UNLESS OTHERWISE SPECIFIED TOLERANCES (一般公差) 0.5~6 = ±0.2 >6~30 = ±0.4 >30~120 = ±0.6 >120~315 = ±1 >315~1000 = ±1.6 ANGLES(角度) = ±5°	CHECKED	 雅鈦企業有限公司 Aec Connectors Co., Ltd.	
6	screw	1	brass	gold		DRAWN <i>Ada</i>		TITLE 2P IEM PLUG
5	screw	1	brass	gold				DATE 2016. 07. 21
4	shell	1	aluminum	matte black anodic treatment			FILE NO. DRAWING\AUDIO\IP\IP-101MBATG-TEF-3.5-LR	
3	contact pin	1	brass	gold				
2	contact pin	1	brass	gold				
1	insulator	1	PTFE	white				
NO.	Description	Unit	Materials	Finish	SCALE	3 : 1	UNIT	MM